

REXA 50 / WSD 50

SM 55 / SD 55

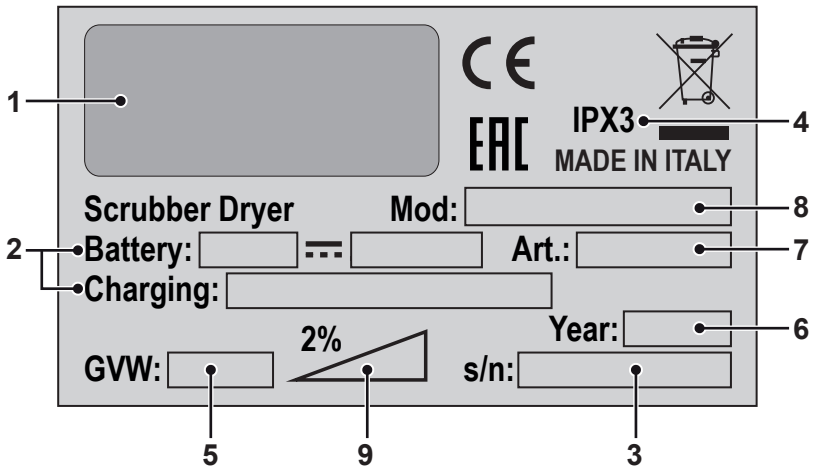


EN Use and Maintenance

CE

49.0376.00
ed. 04/2026





	1	2	3
IT	Produttore	Caratteristiche elettriche	N° Matricola
EN	Manufacturer	Electrical characteristics	Serial N°
FR	Producteur	Caractéristiques électriques	N° Matricule
DE	Hersteller	Elektrische Eigenschaften	Serien-Nr.
ES	Fabricante	Características eléctricas	N° Matricola
PT	Produtor	Características eléctricas	Número de série
NL	Producent	Elektrische eigenschappen	Serienummer
CS	Výrobce	Elektrické údaje	Výrobní č.
RU	Изготовитель	Электрические характеристики	Заводской №
PL	Producent	Specyfikacja elektryczna	Numer seryjny
AR	الصانع	المواصفات الكهربائية	الرقم التسلسلي

	4	5	6
IT	Grado di protezione	Peso in ordine di marcia	Anno di costruzione
EN	Degree of protection	Weight in running order	Year of manufacture
FR	Degré de protection	Poids en ordre de marche	Année de construction
DE	Schutzgrad	Gewicht bei Betrieb	Baujahr
ES	Grado de protección	Peso en orden de marcha	Año de fabricación
PT	Grau de protecção	Peso em ordem de marcha	Ano de construção
NL	Beschermingsgraad	Gewicht in rijklare toestand	Bouwjaar
CS	Úroveň ochrany	Hmotnost v provozním stavu	Rok výroby
RU	Βαθμός προστασίας	Βάρος στην λειτουργία	Έτος κατασκευής
PL	Stopień zabezpieczenia	Ciężar podczas eksploatacji	Rok produkcji
AR	درجة الحماية	الوزن في وضعية التشغيل	سنة الصنع

	7	8	9
IT	Codice articolo	Modello	Massima pendenza superabile
EN	Item code	Model	Maximum superable slope
FR	Référence de l'article	Modèle	Pente maximum surmontable
DE	Artikelnummer	Modell	Maximal befahrbare Steigung
ES	Código del artículo	Modelo	Máxima pendiente que se puede superar
PT	Código do artigo	Modelo	Máximo declive transponível
NL	Artikelcode	Model	Maximaal berijdbare hellingsgraad
CS	Kód položky	Model	Maximální překonatelný sklon
RU	Код изделия	Модель	Максимальный преодолимый наклон
PL	Kod artykułu	Model	Maksymalnie superable stoku
AR	رمز المنتج	الطراز	أقصى درجة ميلان قابلة للتخطي



English..... ENGLISH - 1
(Translation of original instructions)

*Dear Customer,
Thank you for choosing one of our cleaning products.*

The floor scrubber dryer that you have purchased has been designed to satisfy the user in terms of ease of use and reliability over time.

We are aware that in order for a good product to stay that way, over time, it requires continuous updates aimed at meeting the expectations of those who use it on a daily basis. For this reason, we hope that you will not only be a satisfied customer but also a partner who does not hesitate to give us your opinions and ideas originating from your personal day-to-day experience.

INDEX

INDEX	2
TECHNICAL DATA	3
1.1 - INTRODUCTION	4
2.1 - GETTING TO KNOW THE MACHINE (Fig. A)	4
3.1 - UNPACKING (Fig. B)	5
3.1.a - Machine equipment (Fig. B)	5
4.1 - COMPONENT ASSEMBLY	5
4.1.a - Squeegee installation (Fig. C)	5
4.1.b - Installing the brush (Fig. B)	5
4.1.c - Battery installation and connection (Fig. A)	5
5.1 - CHARGING THE BATTERIES (Fig. G)	6
5.1.a - Charging the batteries using an external battery charger (Fig. G)	6
5.1.b - Charging the batteries using the on-board charger (if present) (Fig. G)	6
6.1 - CONTROL PANEL AND CONTROLS (Fig. A)	7
6.2 - WORK CYCLE EXAMPLE (Fig. A)	8
7.1 - EMERGENCY (Fig. A)	8
8.1 - FILLING THE WASHING WATER TANK (Fig. D)	8
9.1 - OPERATION (Fig. A)	9
9.1.a - Checks before use	9
9.1.b - Machine preparation and cycle selection	9
9.1.c - Using the machine	10
9.1.d - End of use and shutdown	10
9.1.e - Maximum recovery water level alarm	11
10.1 - RECOVERY WATER DRAIN (Fig. H)	11
11.1 - MAINTENANCE AND CLEANING	11
11.2 - DAILY OPERATIONS	11
11.2.a - Emptying and cleaning the washing water tank (Fig. I)	11
11.2.b - Cleaning the recovery water tank (Fig. J)	12
11.2.c - Cleaning the squeegee (Fig. K)	12
11.3 - OPERATIONS TO BE PERFORMED AS NECESSARY	12
11.3.a - Adjusting the direction of travel (only for version 50 D 55) (Fig. A)	12
11.3.b - Cleaning the washing water filter (Fig. L)	13
11.3.c - Removable splash guard (Fig. F)	13
11.3.d - Replacing the brush (Fig. M)	13
11.3.e - Replacing the squeegee rubbers (Fig. K)	13
11.3.f - Squeegee angle adjustment (Fig. N)	14
11.3.g - Replacing fuses (Fig. O)	14
11.3.h - Battery charger configuration (Fig. O)	15
12.1 - TROUBLESHOOTING	16
13.1 - WARRANTY	17
14.1 - DEMOLITION OF THE MACHINE	18
15.1 - ELECTRICAL DIAGRAM	18

TECHNICAL DATA

	REXA 50 SM 55 WSD 50 SM 55	REXA 50 SD 55 WSD 50 SD 55
Driving type	Walk-behind	
Features		
Operation and Supply	Battery - 24 V	
Type of batteries	N° 2 - 12V 76Ah (C5)	N° 2 - 12V 105Ah (C5)
Battery charger	11 A	
Installed power	880 W	1060 W
Running time - 76Ah (C5)	2 h 30 min	2 h 10 min
Running time - 105Ah (C5)	-	2 h 50 min
Advancement	Manual	Tractioned
Washing track width	530 mm	
Suction width	750 mm	
Productivity theoretical	2120 m ² /h	2650 m ² /h
Productivity practical	1270 m ² /h	1690 m ² /h
Hand-arm vibration system (ISO 5349-1)	< 2,5 m/s ²	
Sound pressure (ISO 11203) (LpA)	< 70 dB(A)	
IP code	IPX3	
Brush		
Diameter / pad / number	530 mm / 21" / 1	
Motor power / number	500 W / 1	
Brush speed	165 giri/min.	
Specific pressure	13 g/cm ²	
Specific pressure (extra pressure)	20 g/cm ²	
Traction		
Maximum slope of use during work	2 %	
Maximum slope when empty (*)	-	12 %
Drive motor power	-	180 W
Maximum forward speed	-	5 km/h
Suction		
Motor power	380 W	
Depression (water column)	105 mbar / 1050 mmH ₂ O	
Air flow	45 l/sec	
Tank		
Recycling	No	
Washing water tank capacity	50 l	
Recovery tank capacity	50 l	

REXA 50 SM 55
WSD 50 SM 55

REXA 50 SD 55
WSD 50 SD 55

Dimensions

Machine dimensions (length x width x height)	1339 x 563 x 1069 mm
Machine width - squeegee	801 mm
Battery compartment dimensions (length x width x height)	345 x 345 x 295 mm

Weight

Empty weight	78 kg	84 kg
Weight with 76Ah (C5) batteries	137,5 kg	143,5 kg
Weight with 105Ah (C5) batteries	-	161 kg
Peso in ordine di marcia (GVW)	204 kg	211 kg

(*) The machine was tested under the following conditions:

- Standard battery
- Empty tanks
- Raw concrete ramp
- Ramp length 15 m

1.1 - INTRODUCTION



NOTE:

The numbers and references shown in brackets refer to the components indicated in the attached instruction sheet.



DANGER:

Before using the machine, carefully read the “SAFETY WARNINGS FOR FLOORS WASHER-DRYERS” booklet attached to this document.

2.1 - GETTING TO KNOW THE MACHINE (Fig. A)

- (1) Guide handle.
- (2) Control panel.
- (3) Squeegee lift/lower pedal.
- (4) Washing water tap.
- (5) Washing water tank.
- (6) Recovery water tank cover.
- (7) Cap with water filling tube.
- (8) Drive wheels.
- (9) Removable splash guard.
- (10) Brush head.
- (11) Squeegee assembly.
- (12) Recovery water drain pipe.
- (13) Squeegee suction pipe.
- (14) Recovery water tank.
 - (14a) Recovery water tank raised.
- (15) Washing water level pipe.
- (16) Battery charger viewing port (if present).
- (17) Washing water filter.

- (18)Pivoting rear wheels.
- (19)Brush head lift/lower pedal.
 - (19a) Brush head raised
 - (19b) Brush head lowered
 - (19c) Brush head lowered with extra pressure
- (20)Ignition key.
- (21)Touch sensors for operator presence.
- (22)EMERGENCY button for immediate shutdown of all functions.

3.1 - UNPACKING (Fig. B)

Once the packaging has been removed as indicated in the instructions on the packaging itself, check that the machine and all the components supplied are intact.

If you find any obvious damage, contact your local dealer and the carrier within 3 days of receipt.

- Cut the strap (24).
- Remove the wooden block (25) in front of the drive wheels.
- Lift the brush head (10 Fig. A) by pressing the pedal (19 Fig. A) (see relevant paragraph).
- Lift the squeegee support with the pedal (3 Fig. A).
- Position the slide (26) provided and unload the machine from the pallet.

3.1.a - Machine equipment (Fig. B)

The following accessories are supplied:

- (20)Ignition key.
- (27)Brush.
- (28)Squeegee.
- (29)Machine user and maintenance manual.
- (30)Battery charger instruction manual.
- (31)Battery charger power cable (if present).
- (39)Connector with two terminals (for versions without on-board battery charger).

4.1 - COMPONENT ASSEMBLY

4.1.a - Squeegee installation (Fig. C)

- Loosen the two handwheels (32) on the squeegee (28).
- Mount the squeegee (28) on the support (33) by tightening the two handwheels (32).

4.1.b - Installing the brush (Fig. B)

- Lift the splash guard (9) slightly and remove the polystyrene protection (34).
- Install the brush (27 Fig. M) as described in the section "Replacing the brush".

4.1.c - Battery installation and connection (Fig. A)

- Press the emergency button (22).
- Carefully lift the recovery water tank (14a), making sure it is empty.
- With the 2 x 12 V battery configuration, position and connect the batteries (35) as shown in the figure, using the cables and plugs provided.
- Tighten the terminals (36) using an insulated wrench.
- Carefully lower the recovery water tank (14).
- Reset the emergency button (22).



NOTE:

The batteries must be connected by qualified personnel.

5.1 - CHARGING THE BATTERIES (Fig. G)



DANGER:

Charge the batteries in well-ventilated areas that comply with the regulations in force in the country of use.

For safety information, refer to chapter 1 of this manual.



WARNING:

For information and warnings regarding the batteries and the on-board battery charger (if present), refer to the battery charger manual supplied with this manual.



WARNING:

The machine leaves the factory calibrated for operation with gel batteries. If other types of batteries are installed, refer to the “Parameter settings” section.

It is prohibited to use the machine with gel batteries calibrated for acid or other types of batteries.



NOTE:

It takes 10 hours to fully recharge the batteries. Avoid partial recharges.

5.1.a - Charging the batteries using an external battery charger (Fig. G)



NOTE:

Check the suitability of the external battery charger by referring to its manual. The nominal voltage of the charger must be 24 V.

Prepare the connector (39) with the terminals supplied for installation on the external battery charger cable.

- Move the machine to the battery charging station.
- Carefully lift the recovery water tank (14a Fig. A), making sure it is empty.
- In the battery compartment, disconnect the battery connector (37) from the machine's main connector (38).
- Connect the battery connector (37) to the charger connector (39).
- Connect the battery charger to the mains.
- At the end of charging, disconnect the battery charger from the mains and from the batteries.
- Reconnect the battery connector (37) to the machine's main connector (38).
- Carefully lower the recovery water tank (14 Fig. A).

5.1.b - Charging the batteries using the on-board charger (if present) (Fig. G)



WARNING:

Check that the mains voltage is compatible with the operating voltage of the charger (230 Vac for the European market; 115 Vac for the American market; 50/60 Hz).

- Move the machine to a mains power outlet.



WARNING:

It is important to first connect the battery charger cable (31) to the socket (40), then connect the battery charger cable plug (31) to the mains socket (41).

- Check through the window (16) that the green LED (42) on the battery charger flashes twice and then changes from green to red and stays lit.
- Leave the batteries to charge until the LED (42) turns green.
- Disconnect the charger cable (31) from the power outlet (41) and from the socket (40) on the machine.

6.1 - CONTROL PANEL AND CONTROLS (Fig. A)



WARNING:

Before using the machine, set the work cycle as indicated in the relevant section.

(4) Washing water tap

- Turn the tap (4) anticlockwise to increase the amount of washing water, and clockwise to decrease it.
- To stop the washing water flow, close the tap.

(20) Ignition key

- Press and turn clockwise to "1" to supply power to the circuits and enable the machine to operate.
- Press and turn counterclockwise to "0" to disconnect the circuits and remove the key.

(21) Operator presence touch sensors



NOTE:

The machine can also be operated by pressing just one of the touch sensors.

(for models without traction)

- With the machine switched on, press the touch sensors (21) with switches (50) and (52) engaged to start the suction and brush rotation.

(for model with traction)

- Check that the potentiometer (47) is set to at least the minimum speed.
- With the machine switched on, press the touch sensors (21) with switches (50) and (52) engaged to start the traction, suction and brush rotation.

(46) Battery charge status LEDs

- This lights up when the ignition key (20) is turned to '1', indicating the battery charge status.
 - When the LED (E) is lit, it indicates that the battery charge status is at its maximum.
 - When the LED (C) is lit, it indicates that the battery charge status is approximately half full.
 - When LED (A) (red LED) is lit, it indicates that the battery charge status is at its minimum.
- When LED (A) (red LED) is lit, the battery is flat and the machine will shut down or fail to start.
- (With the on-board charger) The 'Red' LED (41) flashes for a few seconds, indicating that the battery needs to be charged.

(47) Speed adjustment potentiometer (only for traction model)

- The potentiometer (47) is used to adjust the traction speed; turning the potentiometer clockwise increases the speed, while turning it anticlockwise decreases the speed.

(48) Reverse switch (only for traction model)



NOTE:

Before reversing, lift the squeegee assembly (11) by pressing the pedal (3).

Check that the potentiometer (47) is set to the minimum traction speed.

- Press and hold while activating the touch sensors (21) and the machine will move backwards towards the operator.

(50) Vacuum switch

- With the machine switched on, press the switch to the 'I' position to start the vacuum.
- To disable the vacuum, press the switch (50) to the 'O' position.

(52) Brush rotation switch

- With the machine switched on, pressing the switch to the 'I' position enables brush rotation; brush operation is controlled by the touch sensors (21).
- To disable brush rotation, press the switch (52) to the 'O' position.

6.2 - WORK CYCLE EXAMPLE (Fig. A)

Setting a wash cycle with brush and drying. Turn the tap (4) anticlockwise to open and measure out the washing water.

- Turn the ignition key (20) to '1' to start the machine.
- Press the switch (50) to 'I' to start the vacuum cleaner.
- Press the switch (52) to 'I' to enable brush rotation.



NOTE:

The speed can be varied, even during the work cycle, with the machine in motion by adjusting the relevant potentiometer (47).

- With your hands on the touch sensors (21), the machine starts the programme and begins the work cycle.

7.1 - EMERGENCY (Fig. A)

The emergency button (22) is located in a position that is easily accessible to the operator. It must be pressed firmly in case of immediate need to stop all machine functions. To reactivate the machine, pull the emergency button until it clicks and resets.



WARNING:

Press the emergency button (22) with the machine switched on only in case of real need. Do not use this procedure to switch off the machine, as this could cause serious damage to the machine.

8.1 - FILLING THE WASHING WATER TANK (Fig. D)



WARNING:

Fill the tank with clean tap water at a temperature not exceeding 50°C.

- Using the removable tube (55), fill the tank (5) with water until it is full.

- Do not fill the tank completely; use the level tube (15) as a reference.
- Alternatively, open the cap (7) and use the water stop tap (56, if present).
- Pour the cleaning fluid into the tank to create the washing water mixture.
- Check that the washing water tap (4) is open.
- Turn the ignition key (20) to '1' and check the battery charge status via the LEDs (46).



NOTE:

Only use non-foaming detergents. Always follow the dilution instructions on the label of the product used to make the washing water.



DANGER:

In case of contact with eyes or skin, or if swallowed, refer to the safety data sheet and instructions for use provided by the detergent manufacturer.



WARNING:

Always visually check the fill level to avoid the risk of wetting the floor.

- Once the tank is full, close the cap (7) or replace the removable tube (55) in its housing.

9.1 - OPERATION (Fig. A)

9.1.a - Checks before use

- Check that the recovery water drain pipe (12) is correctly connected and properly capped.
- Check that the suction pipe connection (13) on the squeegee unit (11) is not blocked.

9.1.b - Machine preparation and cycle selection

- Press the pedal (3) to lower the squeegee unit (11).
- Press the pedal (19) to release it from its lock, and the brush head (10) will lower.



NOTE:

The brush head has 2 operating modes:

Normal pressure

It automatically moves to (19b) once the pedal is released from the raised position (19a).

Extra pressure

From position (19b), lift the pedal and hook it into the appropriate stop in position (19c): additional pressure of 10 kg will be applied to the brush.

- The machine can perform 4 types of work:

Washing, brushing and drying cycle:

- Press switch (50) to 'I' to start the vacuum cleaner.
- Press switch (52) to 'I' to enable brush rotation and washing water supply.
- Place your hands on the touch sensors (21) to start brush rotation, washing water supply and move the machine (for machines with traction, traction is also started).

Drying cycle only:

- To perform only the drying cycle, press the switch (50) to "I" to start the extractor.
- Place your hands on the touch sensors (21) to move the machine and dry the floor (for machines with traction, the traction will also start).

Brushing cycle only:

- Close the tap (4) to stop the washing water from flowing out.
- To perform only the brushing cycle, press the switch (52) to 'I' to enable the brush rotation.
- Place your hands on the touch sensors (21) to start the brush rotation and move the machine (for machines with traction, the traction will also start).

Washing and brushing cycle:

- Press the switch (52) to 'I' to enable brush rotation and washing water supply.
- Place your hands on the touch sensors (21) to start brush rotation, washing water supply and move the machine (for machines with traction, traction will also start).

9.1.c - Using the machine

- After turning on the machine and selecting the type of work cycle, start cleaning operations using the handle (1) and with your hands on the touch sensors (21) to start cleaning and (for SD models) traction.



NOTE:

Take care with particularly delicate floors: do not use the machine when stationary with the brush rotation engaged.

For particularly dirty stains, it is possible (for machines with traction) to set the forward speed to '0' so that the brush always works in the same position without straining the traction motor.



NOTE:

The floor is cleaned and dried correctly by moving the machine forwards; moving the machine backwards does not dry the floor; during this phase, always lift the squeegee to avoid damaging the rubber blades.

- Adjust the traction speed (if present) as indicated above.
- If necessary, adjust the amount of washing water using the tap (4).
- Check the battery charge status using the LEDs (46).

9.1.d - End of use and shutdown

- At the end of cleaning operations, before switching off the machine, stop the water supply and brush rotation by pressing the switch (52) to 'O'.
- Lift the brush by pressing the pedal (19) all the way down, hooking it into the appropriate slot (19a).
- Continue with the vacuum cleaner switched on to suck up all the liquid on the floor, then switch off the vacuum cleaner by pressing the switch (50) to 'O'.
- Lift the squeegee unit (11) using the pedal (3).



WARNING:

At the end of cleaning, always lift the squeegee unit and brush head to prevent deformation of the rubber and bristles.

- Turn the ignition key (20) to "0" to switch off the machine.

**NOTE:**

Once the machine has been turned off, if it will not be used for several days, we recommend pressing the emergency button (22).

9.1.e - Maximum recovery water level alarm

If the extractor switches off during use, this means that the liquid level in the recovery tank has reached its maximum level.

Go to the water discharge station and empty the recovery tank as indicated in the relevant section.

**NOTE:**

For the level sensors to work properly, the inside of the tank (14) must be thoroughly cleaned.

10.1 - RECOVERY WATER DRAIN (Fig. H)

At the end of the wash cycle or when the recovery water tank (14 Fig. A) is full, it must be emptied as follows:

**NOTE:**

For the disposal of recovery water, comply with the regulations in force in the country where the machine is used.

- Position the machine near a drain.
- Disconnect the hose (12) from the support.
- Remove the cap (60) from the hose (12) and completely drain the water from the tank.

**NOTE:**

The amount of water discharged can be adjusted by pressing the end of the hose (12).

- Replace the cap (60) on the hose (12) and put it back on its support.

11.1 - MAINTENANCE AND CLEANING

**WARNING:**

All maintenance operations must be carried out with the machine switched off and the tanks empty.

11.2 - DAILY OPERATIONS

11.2.a - Emptying and cleaning the washing water tank (Fig. I)

**WARNING:**

At the end of washing operations, it is essential to drain and clean the clean water tank (5) to prevent deposits or incrustations.

After draining the recovery water tank (14 Fig. A), drain the washing water tank (5) as follows:

- Position the machine over a drain.
- Disconnect the hose (62) from the appropriate hooks,
- Lower the hose to the floor over the drain
- Open the tap (63) and allow the water to drain completely.

- Wash the inside of the tank, leaving the drain hose with the tap open and introducing clean water from the removable hose (55 Fig. D).
- When cleaning is complete, close the tap (63) and hook the hose (62) into the appropriate slots.

11.2.b - Cleaning the recovery water tank (Fig. J)



WARNING:

At the end of the washing operations, it is essential to clean the recovery water tank (14) to prevent deposits or incrustations and the proliferation of bacteria, odours and mould.

- Lift the cover (6).
- Remove the debris collection tray (64) and open its cover, then clean with running water, removing any dirt, debris, etc. that may be obstructing it.
- Remove and clean the suction filter (65) with running water.
- With the drain pipe (12 Fig. H) lowered and the cap removed, pour water into the top opening, then rinse the inside of the tank until clean water comes out of the drain pipe.
- Reassemble everything in reverse order.



NOTE:

For complete drying inside the recovery tank, keep the lid raised using the support foot (43).

11.2.c - Cleaning the squeegee (Fig. K)

To clean the squeegee (28 Fig. C) correctly, remove it as follows:

- Loosen the knobs (32 Fig. C) and remove the squeegee (28 Fig. C).
- Wash the squeegee, paying particular attention to the rubber parts (66) and (67), then wash the inside of the suction fitting (68).



NOTE:

If during washing you notice that the rubber seals (66) and (67) are damaged or worn, replace them or turn them around.

- Reassemble everything in reverse order.

11.3 - OPERATIONS TO BE PERFORMED AS NECESSARY

11.3.a - Adjusting the direction of travel (Fig. A)

If during cleaning (with the brush rotating) you notice that the machine is not travelling in a straight line but tends to veer to the right or left, you can adjust the direction using the handwheel (59).

- Start the machine and start the brush rotation.
- If the machine tends to veer to the right, turn the handwheel (59) slightly towards "L" until the direction is straight.
- If the machine tends to veer to the left, turn the handwheel (59) slightly towards "R" until the direction is straight.

11.3.b - Cleaning the washing water filter (Fig. L)

- On the right side, under the machine, close the washing water tap (4).
- On the washing water filter (17), unscrew the transparent cover (75), then remove the mesh filter (76).
- Clean the mesh filter (76) under running water; if it is damaged, replace it.
- Reassemble everything in reverse order.

11.3.c - Removable splash guard (Fig. F)

- Lift the splash guards (9) to release them from the pins, then slide them out from the front.

11.3.d - Replacing the brush (Fig. M)

The brush must be replaced when it is worn, with bristles less than 2 cm long, or depending on the type of floor to be cleaned. To replace it, proceed as follows:

- Ensure that the machine is switched off and that the brush head (10) is raised.
- With one hand under the brush head (10), unhook the brush by turning it sharply in the direction of rotation.
- Remove and replace the brush (27).
- Place the new brush under the brush head (19).
- Lower the brush head (9) by pressing the pedal as indicated in the relevant section.
- (for SD models) Check that the potentiometer (47) is set to at least the minimum speed.
- Press the switch (52 Fig. A) to enable the brush to rotate.
- Press the touch sensors (21 Fig. A) on the handlebar, and the brush holder flange will start to rotate, engaging the brush.

11.3.e - Replacing the squeegee rubbers (Fig. K)

When you notice that the floor is difficult to dry or that there are traces of water remaining on the floor, check the wear of the squeegee rubber (28 Fig. C):

- Remove the squeegee (28 Fig. C) as indicated in the "Squeegee cleaning" section.
- Using the tabs (69), release and remove the elastic bands (70) from the retainers (71), then remove the outer rubber (66).
- Using the tabs (72), release and remove the elastic bands (73) from the retainers (74), then remove the inner rubber (67).



NOTE:

When the rubber strips (66) or (67) are worn on one side, they can be turned over once.

- Replace or turn the rubber strips (66) or (67) without inverting them.
- Reassemble everything in reverse order.



NOTE:

Two types of tyres are available: Rubber tyres for all types of flooring and polyurethane tyres for workshop floors that are dirty with oil.

11.3.f - Squeegee angle adjustment (Fig. N)



NOTE:

This operation must be carried out on a previously wet or damp floor.

- Turn the ignition key (20 Fig. A) to "1".
- Lower the squeegee unit (11) by pressing the pedal (3).
- Start the vacuum cleaner using the button (50 Fig. A).
- Proceed for a few metres, then switch off the vacuum cleaner and stop the machine.
- Turn the knob (77) to adjust the angle of the squeegee blades on the floor; turning clockwise increases the angle and vice versa.

A = too low

B = too raised

C = correct position



NOTE:

The correct angle is when, during passage over the vacuumed area, there are no liquid leaks on the floor and the rubber has a constant angle along its entire length.

11.3.g - Replacing fuses (Fig. O)



WARNING:

Replace the blown fuse with one of the same amperage.

- Press the emergency button (22).
- Unscrew and remove the emergency button (22) from the cover (80).
- Unscrew the screws (79) and carefully remove the cover (80) to access the electronics compartment.



WARNING:

Be careful with the wiring of the ignition key mounted on the cover (80).

- Replace the affected fuse:

(81) - Suction fuse, F3 20A

- Refit the cover (80) with the screws (79).
- Refit the emergency button (22) on the cover (80).
- Reset the emergency button (22).

(78) - Main fuse, F0 70A

- Carefully lift the recovery water tank (14a Fig. A) making sure it is empty.
- Disconnect the battery connector (37 Fig. G) from the machine's main connector (38 Fig. G).
- Replace the main fuse (78 Fig. A).

11.3.h - Battery charger configuration (Fig. O)



WARNING:

The machine is manufactured with a standard configuration for operation with “Sonnenschein” gel batteries.

- Press the emergency button (22).
- Unscrew and remove the emergency button (22) from the cover (80).
- Unscrew the screws (79) and carefully remove the cover (80) to access the electronics compartment.



WARNING:

Be careful with the wiring of the ignition key mounted on the cover (80).

- Remove the cap (84) located under the battery charger (85) to access switches DP1 and DP2 of SW1.

Standard configuration with Sonnenschein gel batteries

- Set switches DP1 and DP2 as shown in figure “A”.

Configuration for AGM or non-Sonnenschein gel batteries

- Set switches DP1 and DP2 as shown in figure “B”.

Configuration for acid batteries

- Set switches DP1 and DP2 as shown in figure “C”.
- When the configuration is complete, replace the cap (84) on the battery charger (85).
- Refit the cover (80) with the screws (79).
- Refit the emergency button (22) on the cover (80).
- Reset the emergency button (22).



WARNING:

Changing the battery charger from Gel to Acid is not enough to correctly configure the machine for acid battery operation

Contact support for board configuration and discharge indicator.

12.1 - TROUBLESHOOTING

PROBLEM	CAUSE	SOLUTION
When turning the ignition key (20) to "1", the display does not light up.	Batteries are flat.	Check the battery charge status.
	Emergency button pressed.	Reset the emergency button.
	Batteries incorrectly connected or missing.	Check and correct the battery connection.
	Blown fuses.	Check and replace the 3A key fuse or the 75A main fuse.
	Damaged ignition key switch.	Replace. (*)
(For models without traction) The machine is difficult to move forward.	Brush head is out of adjustment.	Adjust the ground pressure of the brush head. (*)
The brush does not rotate.	Brush button not pressed.	Press the button.
	Function board damaged.	Replace. (*)
	Display card damaged	Replace. (*)
	Damaged brush motor.	Replace. (*)
The vacuum cleaner does not work.	Vacuum button not pressed.	Press the button.
	Recovery water tank full.	Empty, wash and clean the tank and the level probe.
	The debris tray and suction filter are dirty.	Clean the tray and filter.
	Display board damaged.	Replace. (*)
	Suction motor damaged.	Replace. (*)

PROBLEM	CAUSE	SOLUTION
The machine does not dry properly, leaving traces of water on the floor.	Suction pipe blocked.	Check and, if necessary, clean the suction pipe connecting the squeegee to the recovery water tank.
	Squeegee not adjusted correctly.	Adjust the angle of the squeegee.
	Squeegee dirty.	Clean the squeegee.
	Recovery water tank full.	Empty the tank.
	Debris tray and suction filter dirty.	Clean the tray and filter.
	Squeegee blades worn.	Turn the squeegee blades upside down or replace them.
	Suction motor damaged.	Replace. (*)
No washing water coming out.	Tank empty.	Fill the tank.
	Tap closed.	Open the tap.
	Filter clogged.	Clean the filter.
	Solenoid valve damaged.	Replace. (*)
Insufficient floor cleaning.	Inadequate brushes or detergent.	Use brushes or detergents suitable for the type of floor or dirt to be cleaned.
	Worn brush.	Replace the brush.

(*) Contact customer service for maintenance or replacement.

13.1 - WARRANTY

During the warranty period, all faulty or defective parts will be repaired or replaced free of charge.

All parts damaged by tampering or incorrect use of the machine are excluded from the warranty.

To activate the warranty procedure, contact your dealer or the relevant service centre with your proof of purchase.

14.1 - DEMOLITION OF THE MACHINE



DANGER:

Batteries and electrical parts are considered special waste and must therefore be disposed of at special collection centres as indicated by the regulations in force in the country of use.

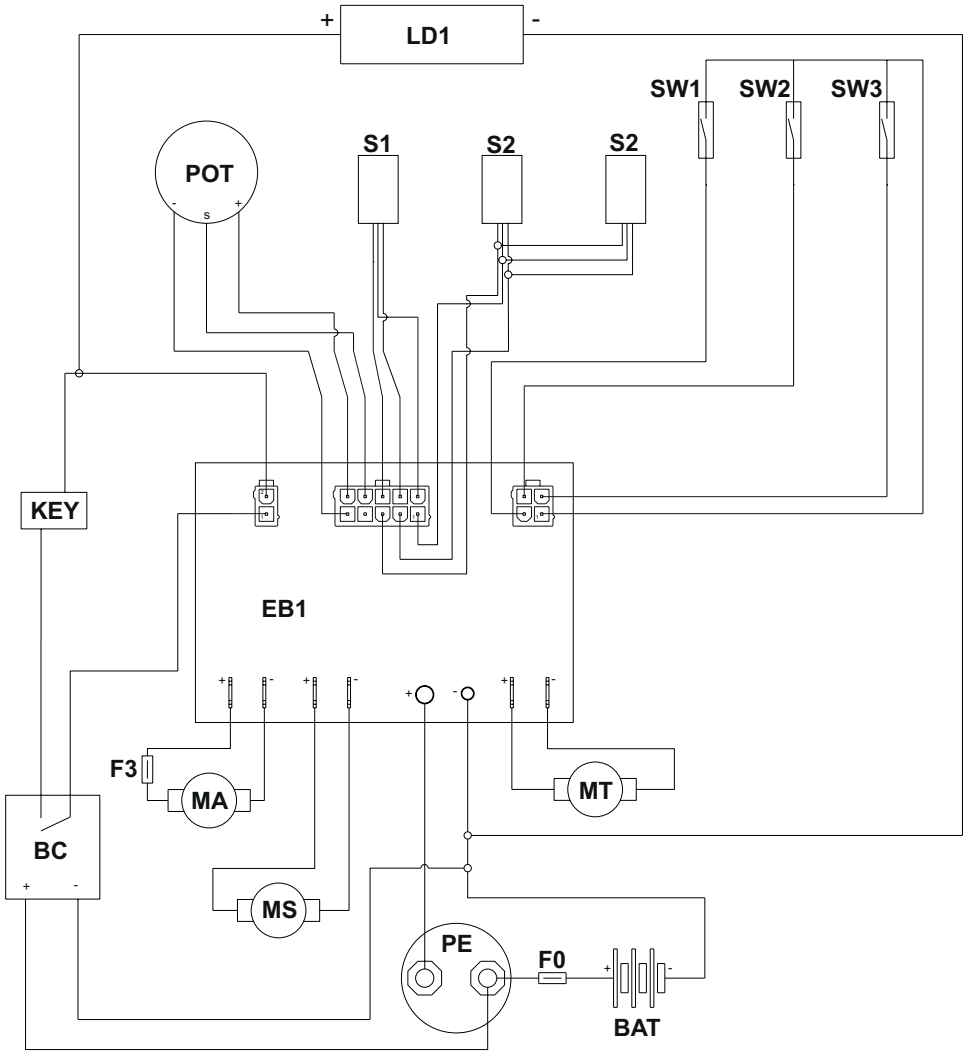
15.1 - ELECTRICAL DIAGRAM

Key

BAT	Batteries
BC	Battery charger
EB1	Function card
F0	Main fuse (70A)
F3	Suction motor fuse (20A)
KEY	Ignition key
LD1	Charge indicator LED
MA	Suction motor
MS	Brush motor
MT	Traction motor (SD model only)
PE	Emergency button
POT	Speed adjustment potentiometer (SD model only)
S1	Recovery water level sensor
S2	Operator presence touch sensors
SW1	Brush rotation switch
SW2	Vacuum cleaner switch
SW3	Reverse switch (SD model only)

Colour codes:

BK	Black
BU	Blue
BN	Brown
GN	Green
GY	Grey
OG	Orange
PK	Pink
RD	Red
VT	Violet
WT	White
YE	Yellow



DEALER



Riello Cleaning Machines S.p.A.

Registered Office

Via Enrico Fermi, 43 - 37136 Verona (VR) - Italy

Headquarters

Via Circonvallazione, 5 - 27020 Dorno (PV) - Italy

P. +39 0382 848811 - F. +39 0382 84668 - M. info@riellocm.com



ghibli.com - wirbel.it

